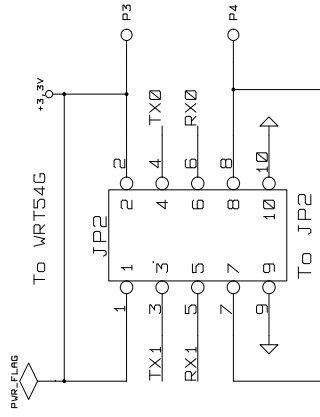
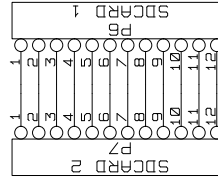


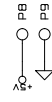
### CONNECTORS



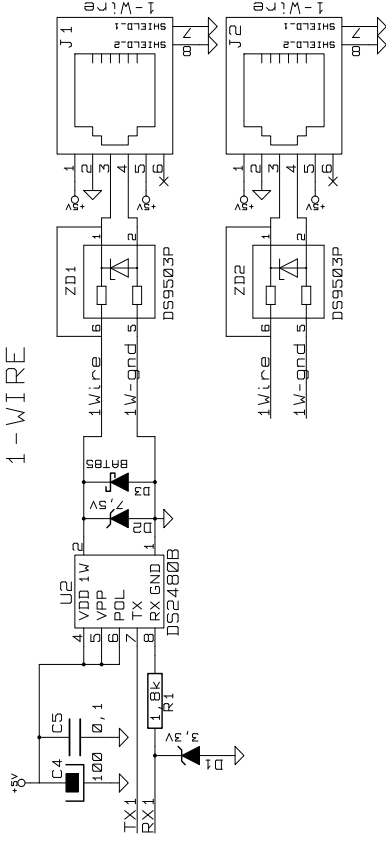
### SD-CARD Wiring



Spare 5V and Ground



### 1-WIRE



### SERIAL

